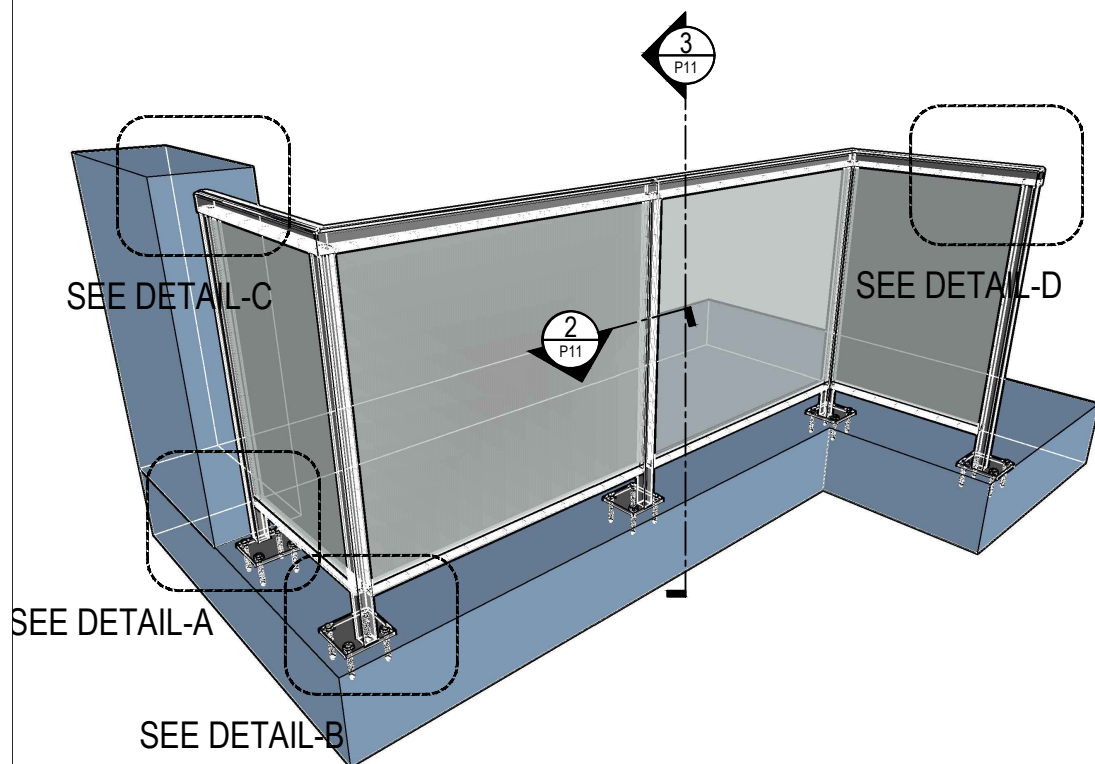


# HIGH RISE RAILS

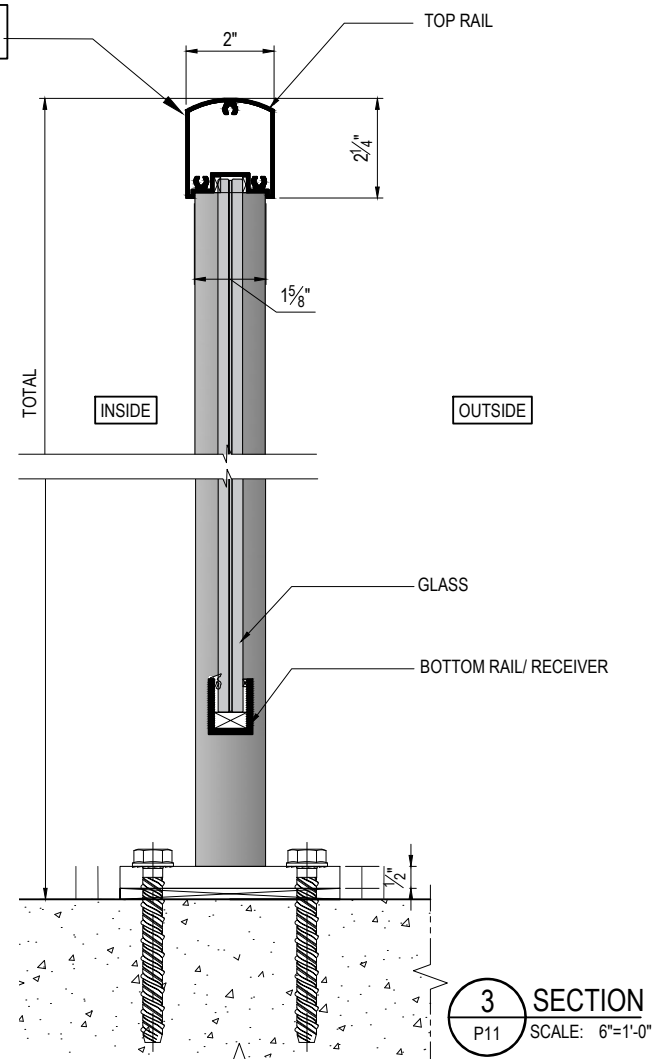
## JOURNEY TOP MOUNT CENTER SET

TOP MOUNTED

PART NO. HRR-06

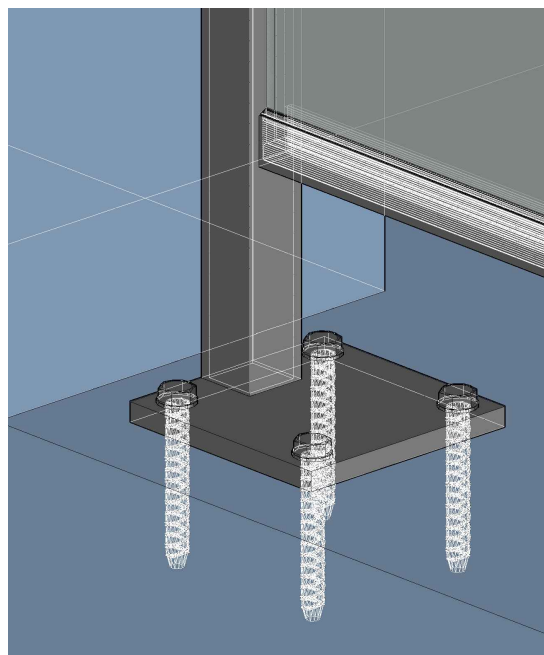


**1** PERSPECTIVE  
 P11 SCALE: NTS

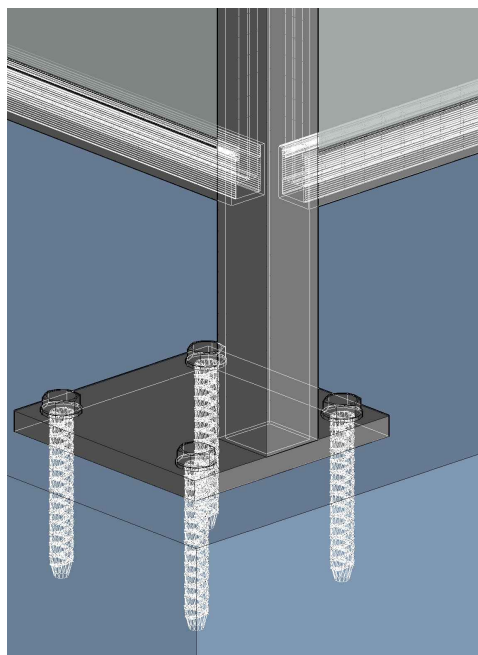


**3** SECTION  
 P11 SCALE: 6"=1'-0"

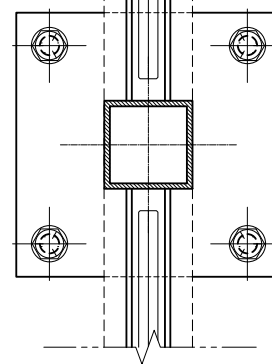
## BLOW-UP DETAILS



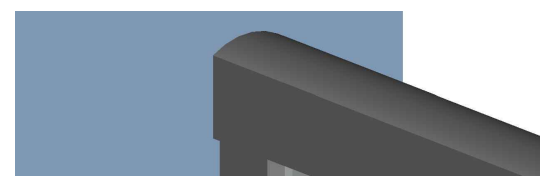
**A** DETAIL  
 SCALE: 6"=1'-0"



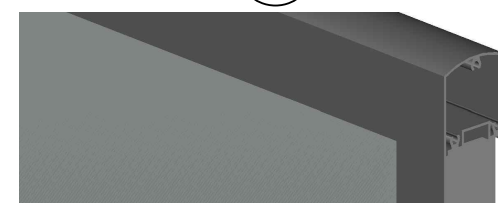
**B** DETAIL  
 SCALE: 6"=1'-0"



**2** PLAN  
 P11 SCALE: 6"=1'-0"



**C** DETAIL  
 SCALE: 6"=1'-0"



**D** DETAIL  
 SCALE: 6"=1'-0"