

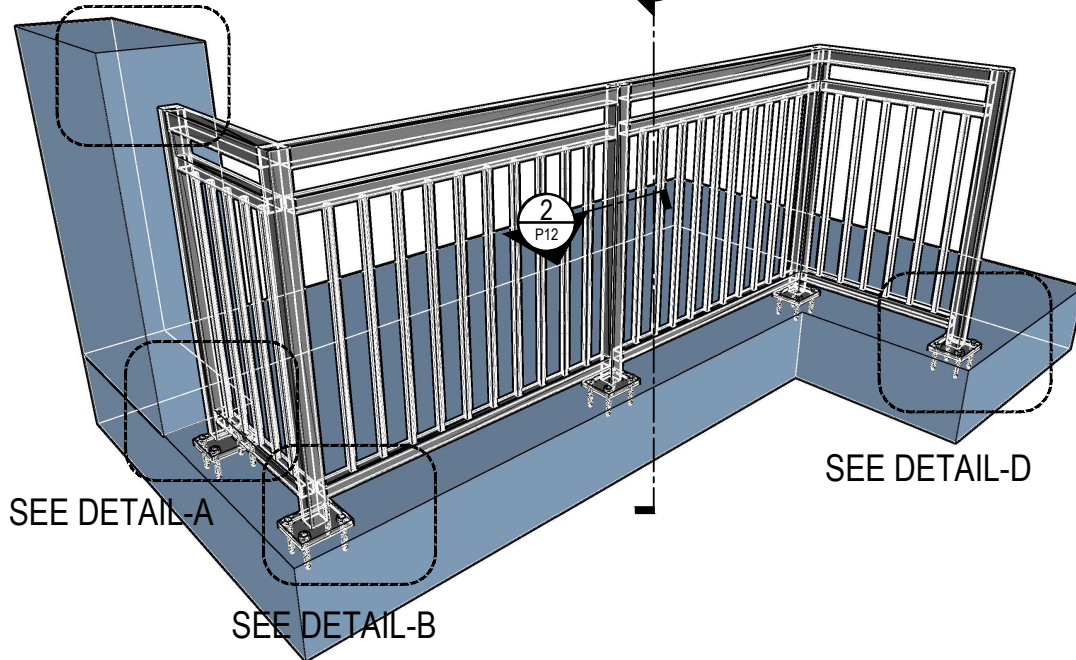
HIGH RISE RAILS

PICKET TOP MOUNT

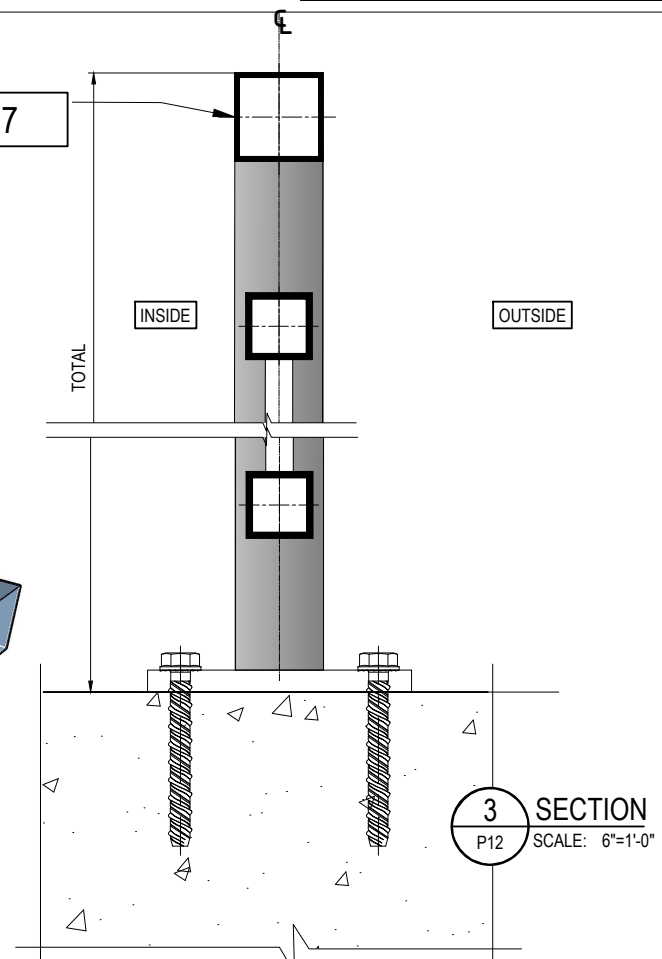
TOP MOUNTED

PART NO.HRR-07

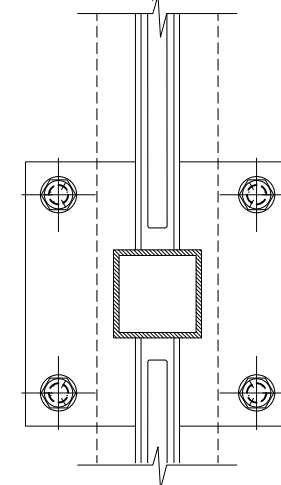
SEE DETAIL-C



1 PERSPECTIVE
 P12 SCALE: NTS

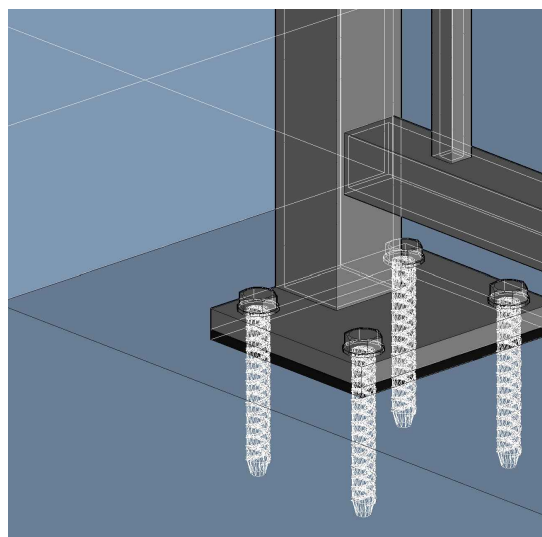


3 SECTION
 P12 SCALE: 6"=1'-0"

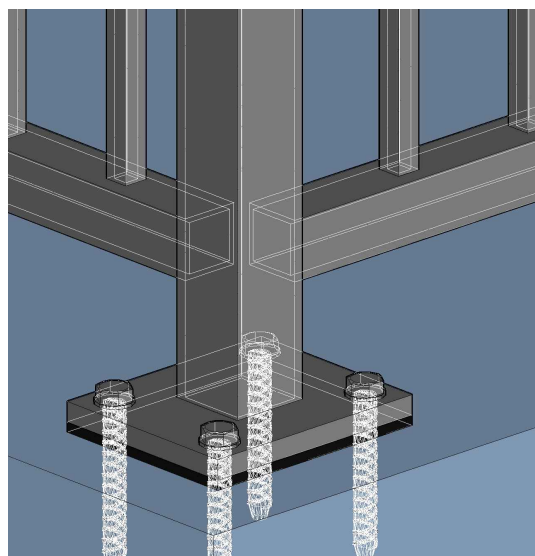


2 PLAN
 P12 SCALE: 6"=1'-0"

BLOW-UP DETAILS



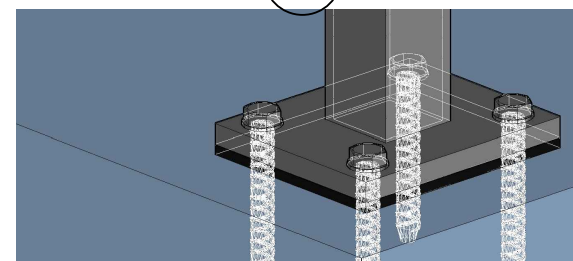
A DETAIL
 SCALE: 6"=1'-0"



B DETAIL
 SCALE: 6"=1'-0"



C DETAIL
 SCALE: 6"=1'-0"



D DETAIL
 SCALE: 6"=1'-0"