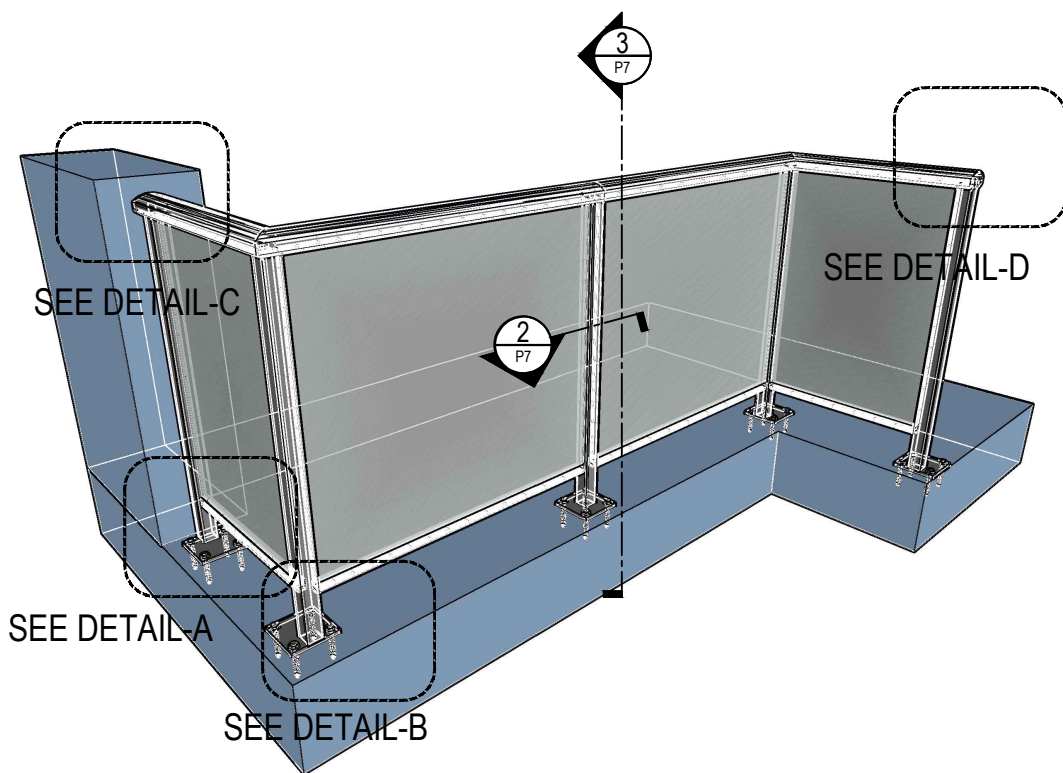


HIGH RISE RAILS

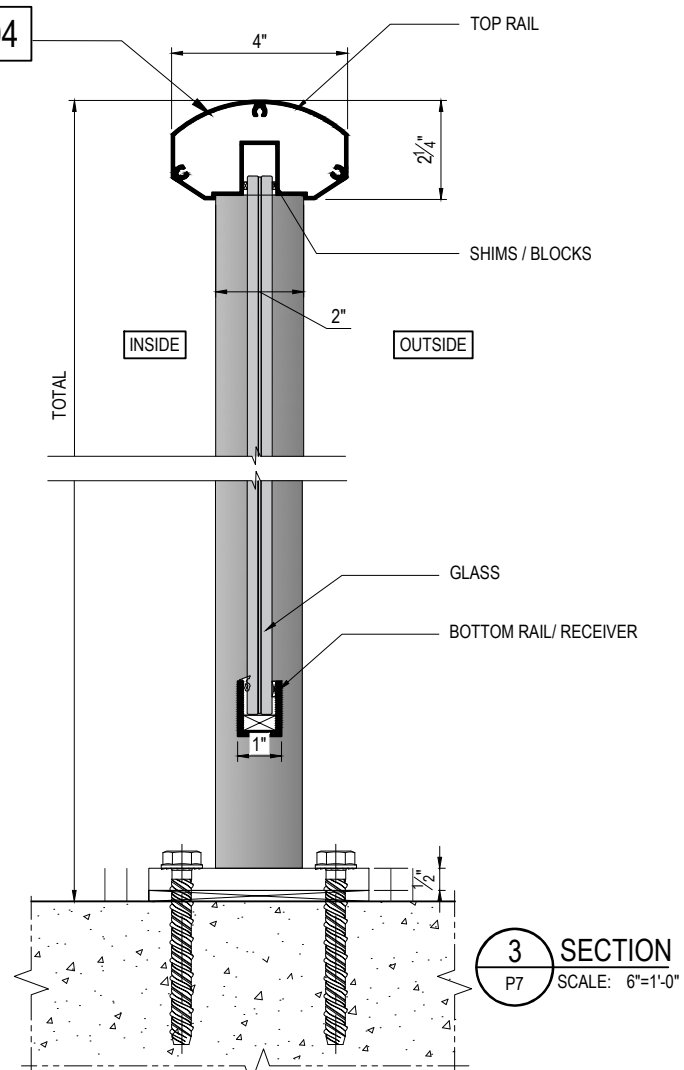
STATEMENT- TOP MOUNT CENTER SET

TOP MOUNTED

PART NO. HRR-04

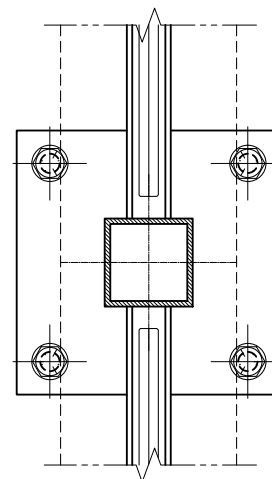


1 PERSPECTIVE
 P7 SCALE: NTS

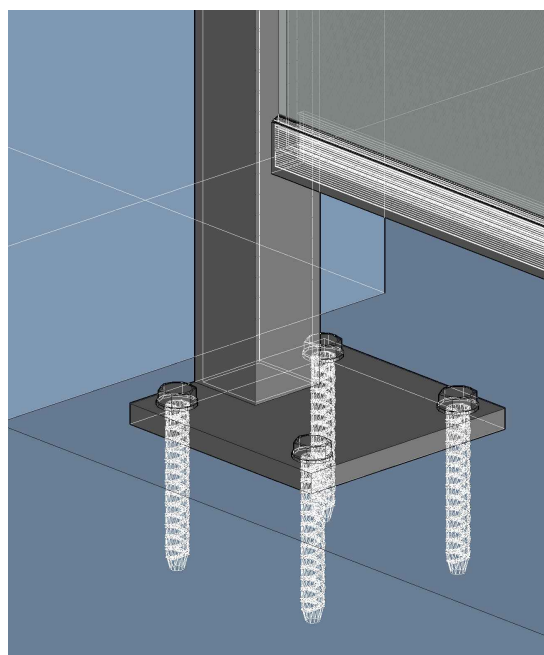


3 SECTION
 P7 SCALE: 6"=1'-0"

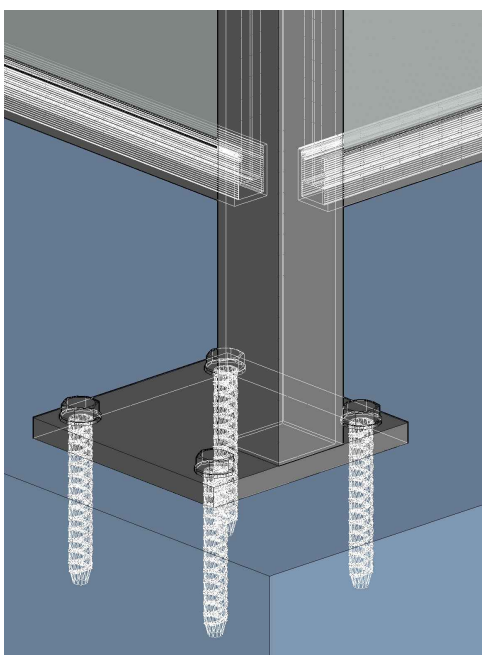
BLOW-UP DETAILS



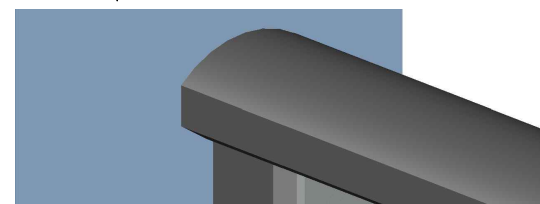
2 PLAN
 P7 SCALE: 6"=1'-0"



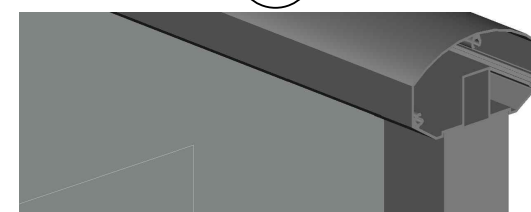
A DETAIL
 SCALE: 6"=1'-0"



B DETAIL
 SCALE: 6"=1'-0"



C DETAIL
 SCALE: 6"=1'-0"



D DETAIL
 SCALE: 6"=1'-0"